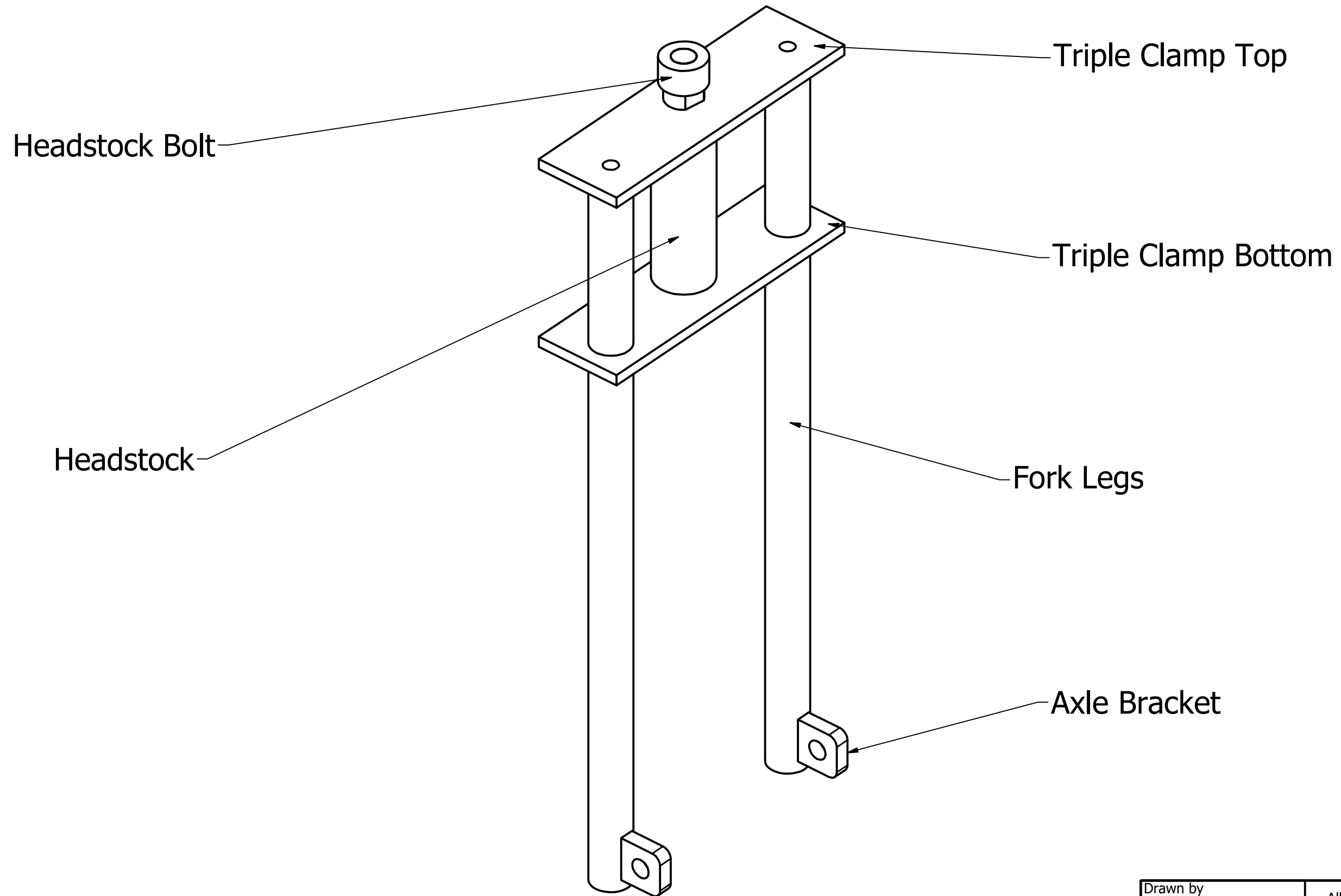


Front End Assembly



Drawn by Max Corpe	All Measurements in Millimetres
Designed by R Emmerson	Front End Assembly
4/04/2016	