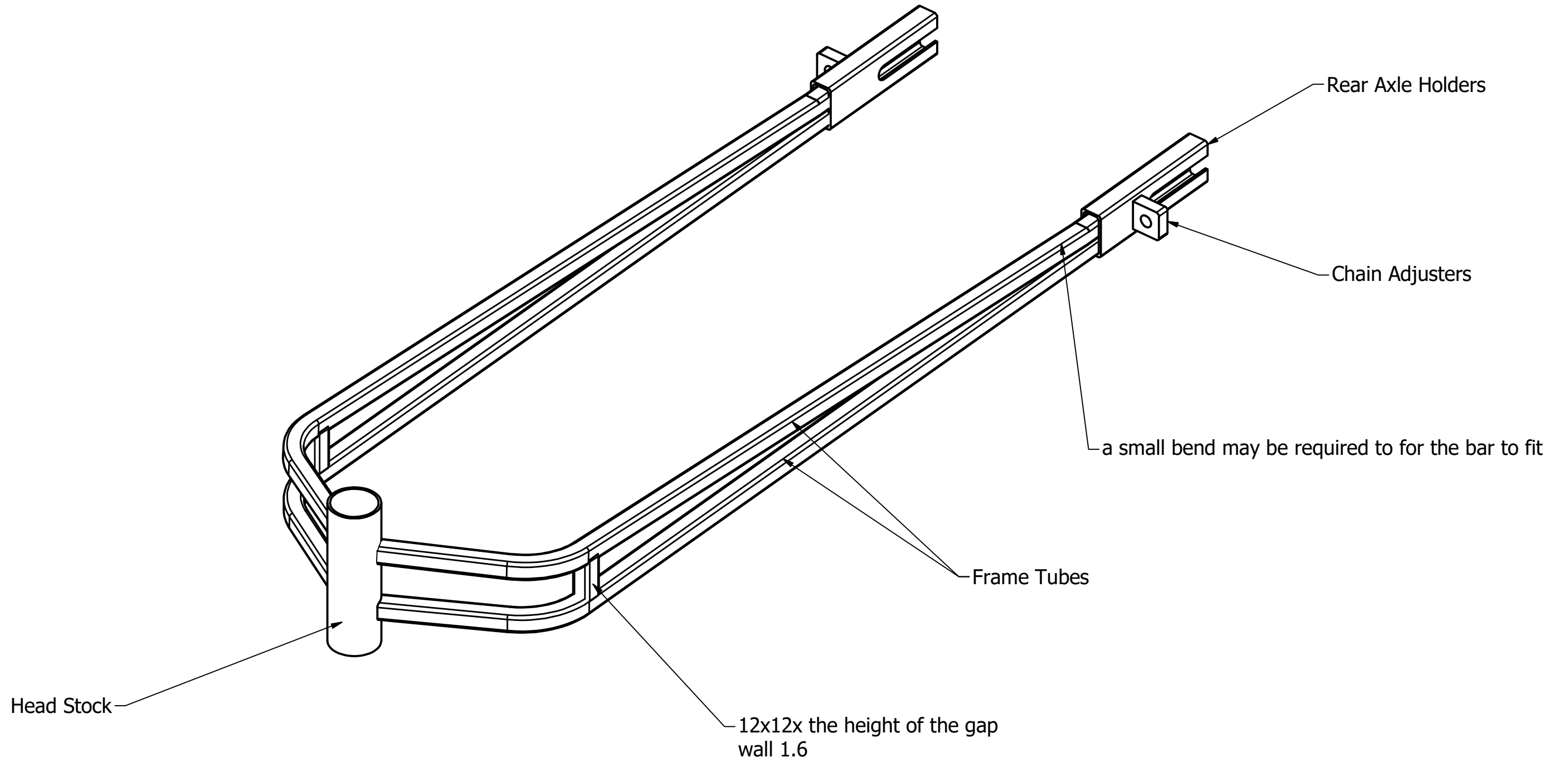


# Frame Assembly



Drawn by <b>Max Corpe</b>	All Measurements in Millimetres
Designed by <b>R Emmerson</b>	<b>Frame Assembly</b>
4/04/2016	