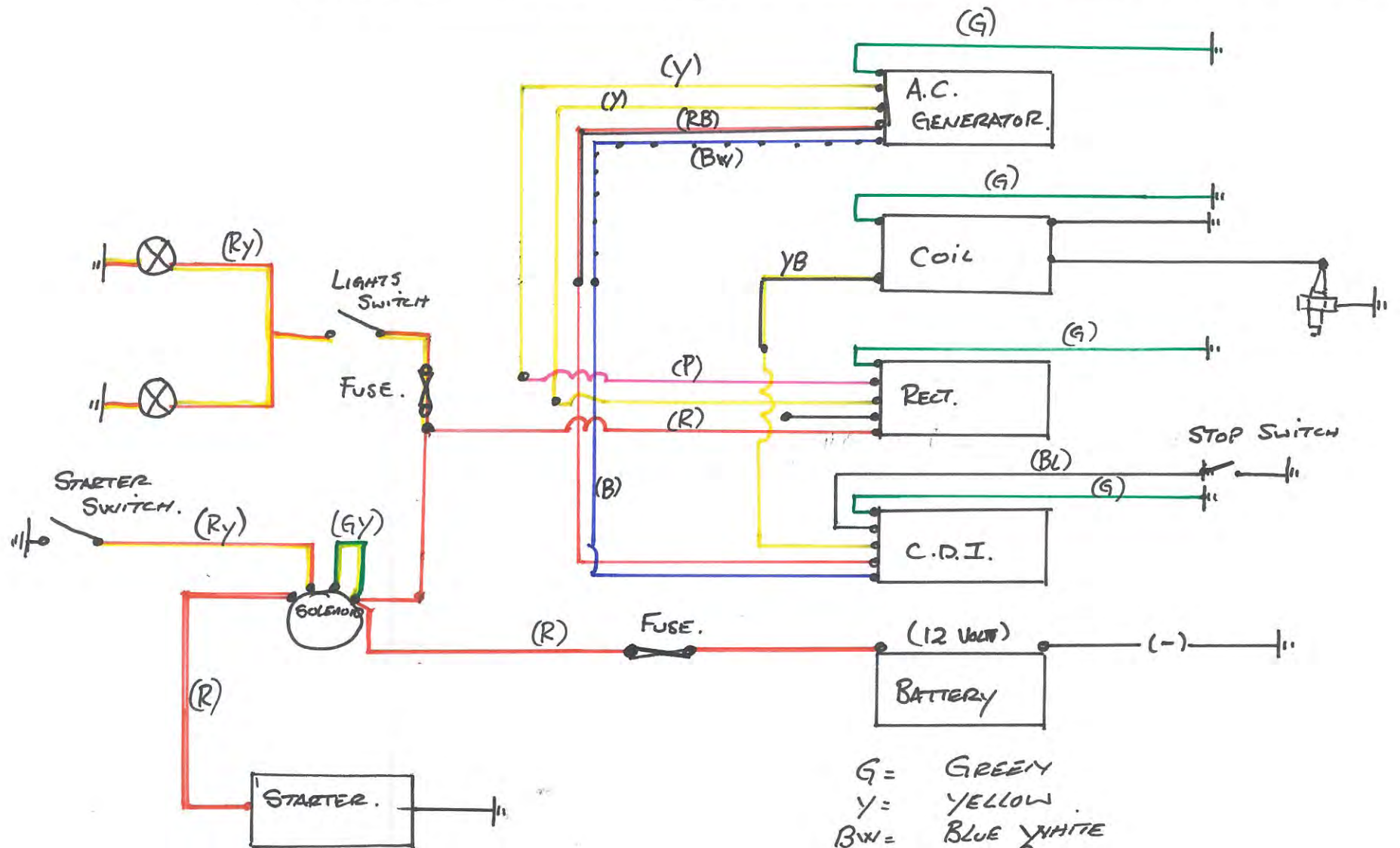


LONGIN 70cc - 125cc. ELECTRIC START. (WITH LIGHTS)

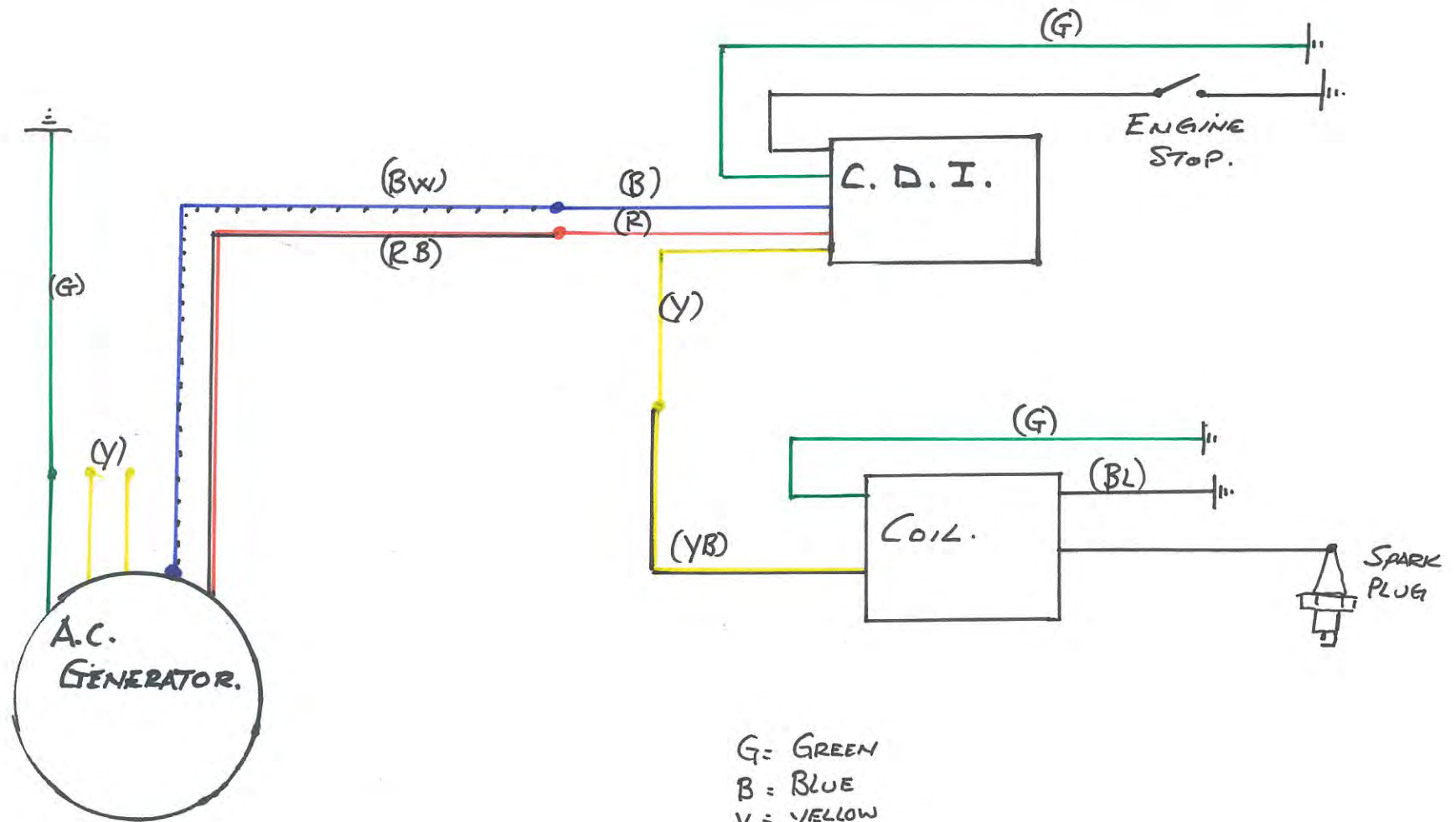


NOTE:- A ROTARY LIGHTS IGNITION SWITCH WOULD BE A GOOD MODIFICATION

- G = GREEN
- Y = YELLOW
- BW = BLUE WHITE
- RB = RED BLACK
- Ry = RED YELLOW
- R = RED
- B = BLUE
- BL = BLACK
- PK = PINK
- YB = YELLOW BLACK
- GY = GREEN YELLOW

RWE. 2013.

LONGIN 70cc - 125cc. NONE ELECTRIC START.
NO LIGHTS. (IGNITION ONLY.)



G = GREEN
 B = BLUE
 Y = YELLOW
 R = RED
 YB = YELLOW BLACK
 RB = RED BLACK
 BW = BLUE WHITE.
 BL = BLACK.

M70 Motard CDI plug wire diagram

1: Blue/white (engine trigger wire)

2: Blank

3: Yellow/black (coil wire)

4: Green (earth/ground wire)

5: Black (engine kill switch)

6: Red/black (engine primary/power)

